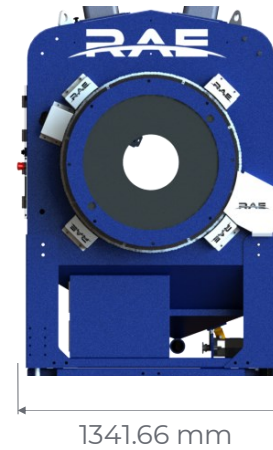
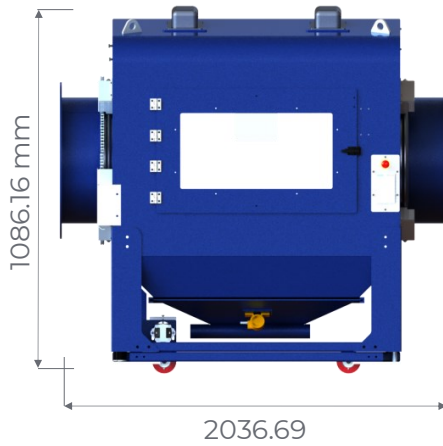
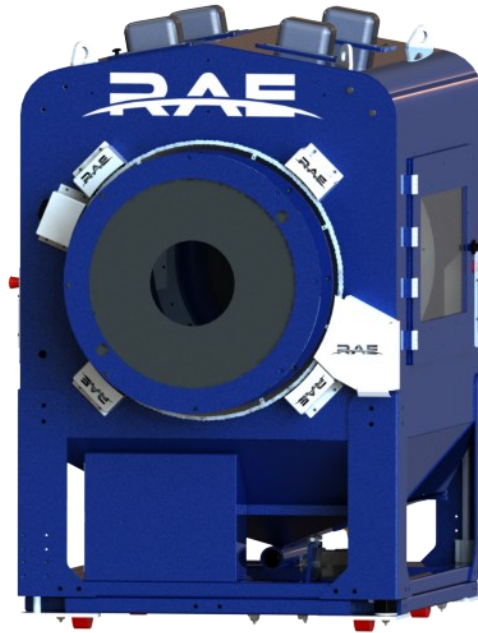


FULLY ENCLOSED QUENCH CABINET



Weight	1500 lbs	680 kg
Voltage	110v	
Amps	10 A	
Pipe Size Range	2—22 in OD	25.4—558.8 mm OD
Pipe Height Range	43—59 in (centers)	1096—1502 mm (centers)
Air Supply	N/A	N/A